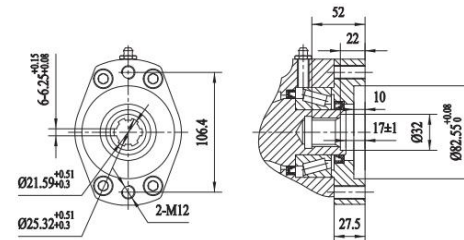
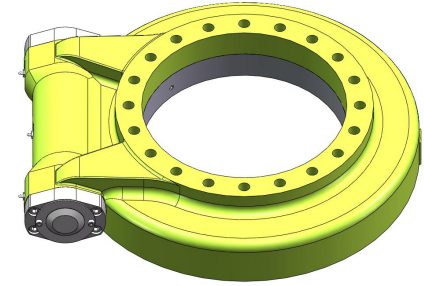
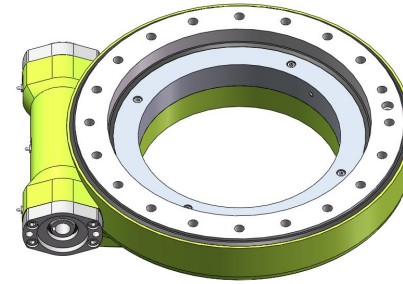
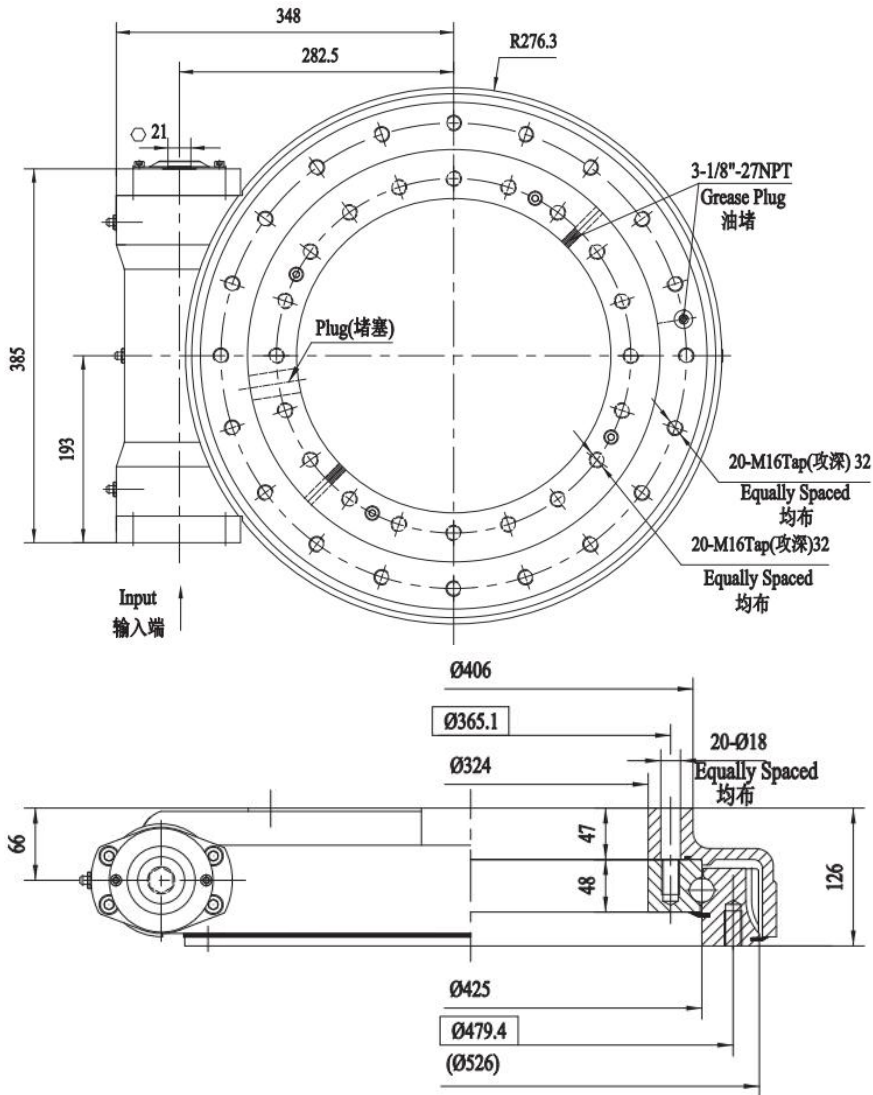
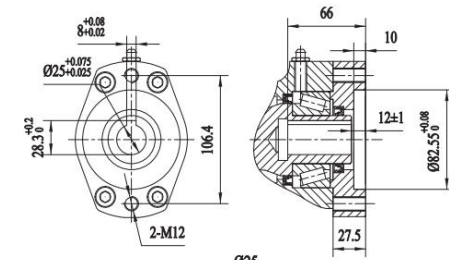


SE17&PE17



6B Spline 花键



Ø25

项目/Item	数值	单位
SE17&PE17	Value	Unit
输出转矩/Output Torque	10	kN.m
倾覆力矩/Tilting Moment Torque	135.6	kN.m
保持力矩/Holding Torque	72.3	kN.m
轴向静载荷/Static Axial Rating	970	kN
径向静载荷/Static Radial Rating	390	kN
轴向动载荷/Dynamic Axial Rating	235	kN
径向动载荷/Dynamic Radial Rating	205	kN
减速比/Gear Ratio	102:1	—
精度等级/Tracking Precision	≤0.15 ≤0.05/0.07	°
重量/Weight	105	kg

载荷曲线图/MOMENT LOAD CHART

